

# PULSAR PLUS

## Technical Datasheet

### General Specifications

|                             |   |
|-----------------------------|---|
| Model                       | Pulsar Plus   |
| Colour                      | White or Black  |
| Cable Length                | 5 m (7 m optional) <sup>[1]</sup>   |
| Charging Mode (IEC 61851-1) | Mode 3  |
| Dimensions                  | 166x163x82 mm (without cable)   |
| Weight                      | 1 kg (without cable)  |
| Operating Temperature       | -25 °C to 40 °C   |
| Storage Temperature         | -40 °C to 70 °C   |
| Standards                   | CE mark (LVD 2014/35/EU, EMC 2014/30/EU)<br>IEC 61851-1, IEC 61851-22, IEC 62196-2, BS 7671:2018 <sup>[2]</sup> |

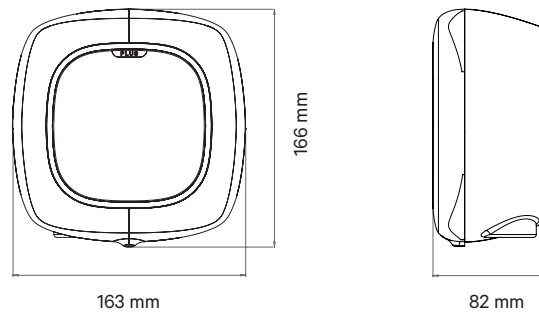
### User Interface & Communications

|                            |                                       |
|----------------------------|---------------------------------------|
| Connectivity               | Wi-Fi, Bluetooth                      |
| User Identification        | myWallbox App & Portal                |
| User Interface             | myWallbox App & Portal <sup>[6]</sup> |
| Charger Status Information | Halo RGB LED, myWallbox App & Portal  |
| Included Features          | Power Sharing Smart                   |
| Optional Features          | Power Boost, Dynamic Power Sharing    |

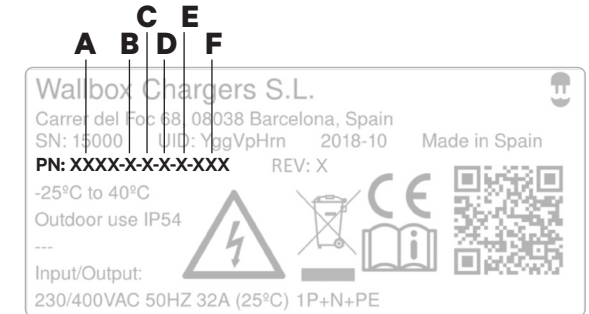
### Electrical Specifications

| Charging Power                     | 7,4 kW                                 | 11 kW                       | 22 kW                       |
|------------------------------------|--|-----------------------------|-----------------------------|
| Rated Voltage AC ± 10%             | 230 V                                  | 400 V                       | 400 V                       |
| Rated Current                      | 32 A (1P)                              | 16 A (3P)                   | 32 A (3P)                   |
| Connector Type (IEC 62196-2)       | Type 1 / Type 2                        | Type 2                      | Type 2                      |
| Cable Width                        | up to 3x 10 mm <sup>2</sup>            | up to 5x 10 mm <sup>2</sup> | up to 5x 10 mm <sup>2</sup> |
| Earthing Protection <sup>[3]</sup> | According to BS 7671:2018 requirements |                             |                             |
| Configurable Current               | from 6 A to rated current              |                             |                             |
| Rated Frequency                    | 50 Hz / 60 Hz                          |                             |                             |
| Protection Rating                  | IP54 / IK08                            |                             |                             |
| Surge Category                     | CAT III                                |                             |                             |
| Residual Current Detection         | DC 6 mA <sup>[4]</sup>                 |                             |                             |
| RCCB                               | External RCCB required <sup>[5]</sup>  |                             |                             |

### Dimensions



### Part Number Structure



|                             | Code | Definition  |
|-----------------------------|------|---|
| <b>A</b> Model              | PLP1 | Pulsar Plus   |
| <b>B</b> Cable              | 0    | 5 m   |
|                             | M    | 7 m   |
| <b>C</b> Connector          | 1    | Type 1  |
|                             | 2    | Type 2  |
| <b>D</b> Power              | 2    | 7,4 kW  |
|                             | 3    | 11 kW   |
|                             | 4    | 22 kW   |
|                             |      |   |
| <b>E</b> Additional Feature | 9    | Residual current detection (DC 6mA)                       |
|                             | F    | Residual current detection (DC 6mA) + Earthing protection |
| <b>F</b> Custom             | XX1  | White   |
|                             | XX2  | Black   |

[1] Only available for Type 2 connectors.

[2] Only for 7,4 kW chargers

[3] Only for chargers sold in the UK region.

[4] Internal RDC-DD meets tripping time characteristics according to IEC 62955.

[5] Type A or Type B according to local regulations.

[6] OCPP compatible.